

# NX2600

- Dual band Navtex Antenna -



**Installation and Operation Manual**  
**English**





**Contents**

- 1 INTRODUCTION ..... 3**
- 2 INSTALLATION ..... 3**
- 3 What types of message do I wish to receive –..... 5**
- 4 INTRODUCTION TO PC KIT..... 6**
- 5 INSTALLATION ..... 6**
- 6 USING THE NEXUS CUSTOM SOFTWARE ON YOUR PC ..... 7**
- 7 Installation, use and uninstall ..... 7**
  - 7.1 Install the software : .....7
  - 7.2 How to use the Software .....7
    - 7.2.1 There are three options :Open(O),Print(P),Exit(E) in File(F) menu. ....8
- 8 Uninstall the software : ..... 9**
- 9 Installation of NX2600 and PC kit..... 10**
- 10 SPECIFICATIONS:..... 11**
- 11 Installation..... 11**
- 12 WARRANTY ..... 15**

## **NEXUS NX2600 DUAL CHANNEL (518K AND 490KHz) NAVTEX RECEIVER OPERATION MANUAL**

Thank you for choosing NEXUS NX2600 NAVTEX receiver. The NAVTEX receiver is used for receiving meteorological or navigational information via a simple connection to any personal computer (PC) or a NEXUS NX2600 VHF transceiver.

### **1 INTRODUCTION**

The NEXUS NAVTEX receiver is a complete NAVTEX receiver/decoder unit, contained within a waterproof antenna unit. This unit outputs data in RS422 format. This can output its data for display on the NEXUS NX2500 VHF radio in its 'NAVTEX mode' OR on a PC running the NEXUS custom software supplied. Alternatively it may be used by using the Hyperlink or Terminal software supplied with Windows as standard\*. It may also be used by third party software such as Tsunamis etc who ask for and utilise a NAVTEX input.

**\*The Terminal software utility supplied with Windows98 2000 and Windows XP.**

### **2 INSTALLATION**

Mount the NAVTEX antenna unit onto any standard antenna base (a choice is available allowing rail mounting/bracket mounting or mounting on any flat surface – see your dealer for details). Site the antenna in a clear position well clear of any sources of RF interference (this includes the PC or NX2500 that it is connected to and any GPS/Radar antennas). A typical installation on a yacht may be on the pushpit, on a power boat on top of the wheelhouse or on the radar arch (either above or below the scanner). The Antenna is supplied with 15 metres of interconnecting cable.

If you are connecting to a NEXUS NX2500 radio, simply connect the antenna cable (4 pin mini DIN plug) into the GPS/NAVTEX/SPEAKER Plug Cord (supplied) and then plug this into the socket labelled NAVTEX on the interface lead supplied with the radio(see Fig.1).

If you are connecting to a PC you will need a converter box (option) to connect to the USB port of the PC and also supply a 12 Volt power source to power the NAVTEX antenna (see Fig.2).

If you are connecting to a SILVA S15 radio, you will need a converter box (option) plug the connector into the socket labelled NAVTEX on the interface lead supplied with the radio(see Fig.2)

### USING THE NEXUS NAVTEX WITH AN NX2500 VHF RADIO.

If you are using the NEXUS NAVTEX antenna in conjunction with the NEXUS NX2500 VHF radio all you need to do is make a simple plug and socket connection. Selection of stations and message types are carried out on screen. See NX2500 owner's manual for details.

To test the Navtex antenna connection, switch the NX2500 on and connect the cable, you will hear a double beep and a NAVTEX test message will be displayed on the NAVTEX screen. This is confirmation that the system is operational. (see below):

14:32 UTC	
55°34.753S 017°321.321E	
COG 34.7°	SOG 04.7kts
BTW 32.5°	DTW 41.5nm
VHF	NAVTEX
<b>16</b>	
MMSI:	TOTAL 01
932123402	NEW 01

To view the contents of the NAVTEX test message, please go to the NAVTEX log, displayed as below:

```
NAVTEX AB00 1
ZCZC AB00
NAVTEX ANTENNA NX2600
WITH DUAL CHANNEL.
NNNN
```

### **3 What types of message do I wish to receive –**

Select by letter on the NX2500 or the PC Sw (see appendix 3).

It pays to be selective - The more selective you are the less likely you will be swamped with irrelevant information from stations some distance away from your vessel.

## **NEXUS NX2600 DUAL CHANNEL NAVTEX PC Kit** **OPERATION MANUAL**

Thank you for choosing NEXUS NX2600 NAVTEX receiver. The NAVTEX receiver is used for receiving meteorological or navigational information via a simple connection to any personal computer (PC) or a NEXUS NX2600 VHF transceiver.

### **4 INTRODUCTION TO PC KIT**

The NEXUS NAVTEX receiver is a complete NAVTEX receiver/decoder unit, contained within a waterproof antenna unit. This unit outputs data in RS422 format. This can output its data for display on the NEXUS NX2500 VHF radio in its 'NAVTEX mode' OR on a PC running the NEXUS custom software supplied. Alternatively it may be used by using the Hyperlink or Terminal software supplied with Windows as standard\*. It may also be used by third party software such as Tsunamis etc who ask for and utilise a NAVTEX input.

**\*The Terminal software utility supplied with Windows98 2000 and Windows XP.**

### **5 INSTALLATION**

Mount the NAVTEX antenna unit onto any standard antenna base (a choice is available allowing rail mounting/bracket mounting or mounting on any flat surface – see your dealer for details). Site the antenna in a clear position well clear of any sources of RF interference (this includes the PC or NX2500 that it is connected to and any GPS/Radar antennas). A typical installation on a yacht may be on the pushpit, on a power boat on top of the wheelhouse or on the radar arch (either above or below the scanner). The Antenna is supplied with 15 metres of interconnecting cable.

If you are connecting to a PC via the converter box, connect to the USB port of the PC and also supply a 12 Volt power source to power the NAVTEX antenna (see Fig.2).

## 6 USING THE NEXUS CUSTOM SOFTWARE ON YOUR PC

### 1. Specification

1.1 The input baud rate of the UI is 9600, it can only connect the PC through USB connector.

1.2 NX2600 receiver will receive the message automatically when there is a NAVTEX signal.

1.3 NX2600 has the functions to save and delete the message.

1.4 NX2600 has the functions to open and view all the messages that have been stored.


1.5 When you connect the computer with the printer, you can print out the message from the printer.

## 7 Installation, use and uninstall

### 7.1 Install the software :



NAVTEX Receive Software.exe

Double click the  , and then follow the instruction to install the software. The program file will be saved in "C:\Program Files\NAVTEX Receive Software" after installation.

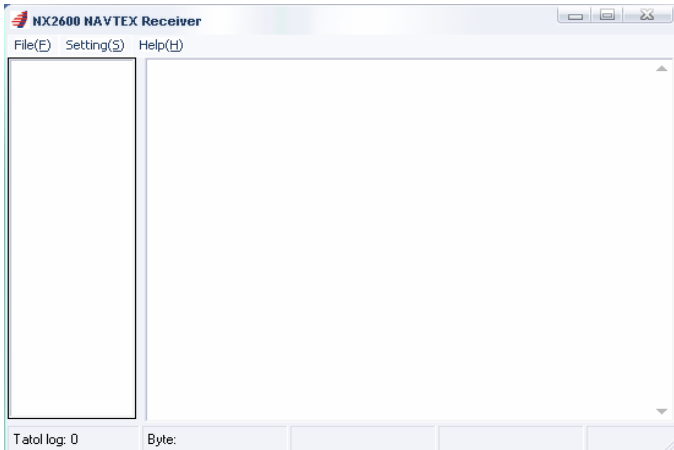
### 7.2 How to use the Software



NX2600 NAVTEX Receiver.exe  
isradio

2.2.1 Double check the  in file "NAVTEX Receive Software" to open the program, the interface will be illustrated as below:





### 7.2.1 There are three options :Open(O),Print(P),Exit(E) in File(F) menu.

a) Open(O) Open the NAVTEX text information which saved in hard disk.

Print(P) Print the NAVTEX information.

Exit(E) Exit the software.

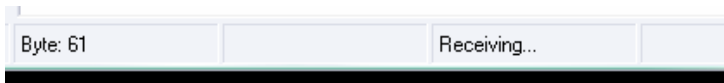
b) There are two options in Setting(S) menu

Comport(C) Set the serial port number of PC(default COM1)

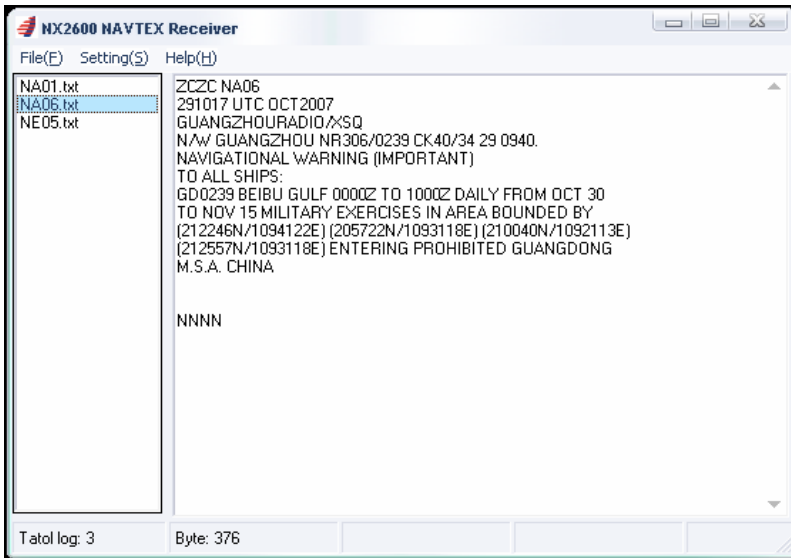
Font F Set the size and color of the font

c) Help(H) Help menu

When a NAVTEX signal is received, the “Receiving” will be displayed on the interface, please see the below illustration:



After receiving the message, the word "Receiving" will be disappeared, and the message will be save in C:\Program Files\NAVTEX Receive Software\log. The message will be displayed on the right side, the name of the message will be displayed on the left side, Total log:3 means how many messages have been received, please see the below illustration:




View and delete the message in left side of the interface, use the mouse to select a message, then click the right key of the mouse, the “View(V)” and “Delete(D)” will flip out, click “View(V)” to view the message, click “Delete(D)” to delete the message.

Click the “X” in the top of the interface, or click the Exit(E) in the File(F) menu to exit the software.

## 8 Uninstall the software



Uninstall.exe

Double click the  in C:\Program Files\NAVTEX Receive Software” to uninstall the software.

The NX2600 PC Kit comes supplied as standard with:

- 1) Terminal emulator software for use with PC.
- 2) Converter Box.

## 9 Installation of NX2600 and PC kit

### NAVTEX CONNECTION DIAGRAM

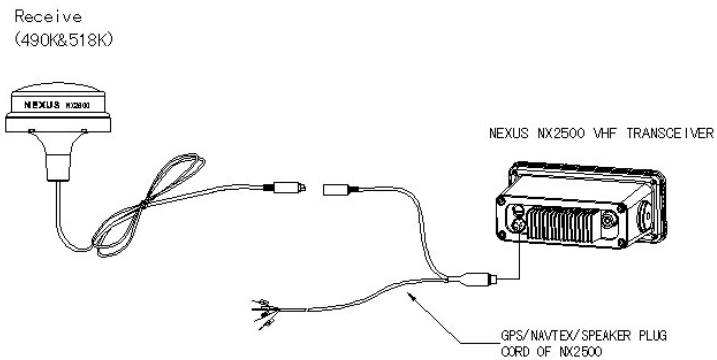


Figure 1

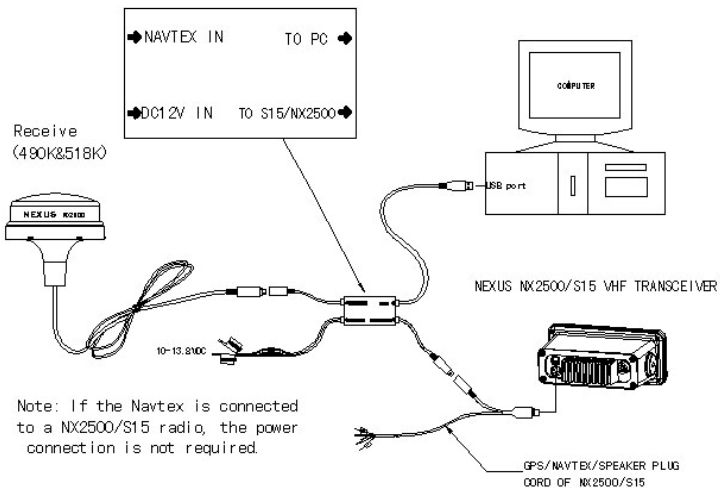


Figure 2

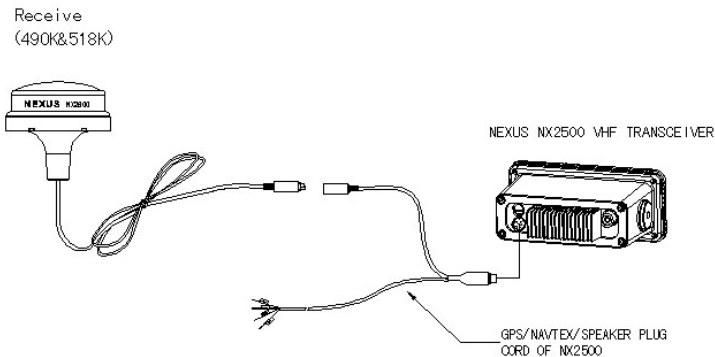
**10 SPECIFICATIONS:****Dimensions:** 150mm(H) X 155mm(dia)**Weight:** 1000gms**Voltage/Power:** 12 Volts DC (10-15Volts), 120MA Max (1.44 Watts).**Receiver:** double superheterodyne 2 channel simultaneity (490 & 518khz).**Output:** Forward error-corrected (FEC) NAVTEX data as serial ASCII at 9600 baud, 8-bits, no parity, 1 stop bit, no handshake.**Mounting:** Fits any standard antenna mount with 1"/14TPI fitting.**11 Installation****NAVTEX CONNECTION DIAGRAM**

Figure 1

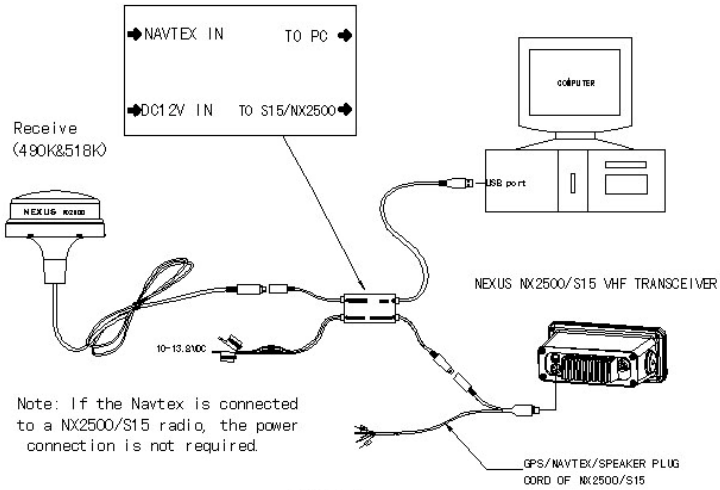


Figure 2

## Appendixes –

The following information is provided for guidance only – it is not guaranteed to be complete/correct or up to date. Up to date information can be obtained from the appropriate source in your area.

### Appendix 1. NAVAREAS:

I	UK	IX	PAKISTAN
II	FRANCE/SPAIN/PORTUGAL	XI	CHINA/JAPAN
III	MEDITERANEAN	XII	USA
IV	USA	XIII	RUSSIA
VI	ARGENTINA	XV	CHILE
VII	SOUTH AFRICA	XVI	PERU
VIII	INDIA		

**Appendix 2. NAVTEX stations**

in areas I, II &amp; III:

Areas I &amp; II:

**518khz**

A	Corsen (Ushant).	O	Portpatrick (Northwest UK).
D	Grimton (Sweden).	P	Imuiden (Holland)
D	Coruna (NW Spain).	Q	Malin Head (N Ireland).
G	Cullercoats (Northeast UK).	R	Monsanto (Portugal).
K	Niton (French coast messages).	S	Niton (South UK).
L	Orlandet (Norway)	T	Oostend (Belgium).
M	Oostend (English coast msgs).	W	Valentia (S Ireland).

**490khz**

A	Niton (French coast messages)	C	Portpatrick (Northwest UK).
E	Corsen (Ushant, France).	I	Niton (South UK).
U	Cullercoats (Northeast UK).		

Area III:

**518khz**

G	Tarifa (South Spain).	K	Kerkyra (Greece)
X	Valencia (Southeast Spain).	H	Iraklion (Crete)
W	La Garde (Toulon, France).	L	Limnos (Greece)
T	Cagliari (Sardinia).	I	Izmir (Turkey)
R	Roma (West Italy).	F	Antalya (Turkey)
V	Augusta (Scicily).	M	Cyprus
O	Malta	P	Haifa (Israel)
U	Trieste (NorthEast Italy).	N	Alexandria (Egypt)
Q	Split (Croatia).		

**Appendix 3. Categories of messages.**

A	Navigational Warnings	H	Loran C information
B	Gale Warnings	I	Omega information
C	Ice Reports	J	Satnav information
D	Search and rescue information	L	Rig lists, Submarine & gunnery information.
E	Weather Forecasts	V	Rig Movements.
F	Pilot messages	Z	No messages on hand.
G	Decca information		

## SCHEDULE OF NAVTEX TRANSMISSIONS:

Transmission Times (UTC/GMT)							CAT	Khz	Station	Country	Lat	Long	Comments
00.00	04.00	08.00	12.00	16.00	20.00		A	518	Svalbard	Norway	78.04N	13.38E	
							A	518	Corsen	France	48.28N	05.03W	
00.10	04.10	08.10	12.10	16.10	20.10		B	518	Bodo	Norway	67.16N	14.23E	
		08.20			20.20		C	490	Portpatrick	UK	54.51N	05.07W	
00.20	04.20	08.20	12.20	16.20	20.20		P	518	Haifa	Israel	32.49N	35.00E	
00.30	04.30	08.30	12.30	16.30	20.30		D	518	Grimeton	Sweden	57.07N	12.24E	
							D	518	Corunna	Spain	43.31N	08.27W	
							D	518	Istanbul	Turkey	41.04N	28.57E	
00.40	04.40	08.40	12.40	16.40	20.40		E	518	Niton	UK	50.35N	01.18W	
							E	518	Samsun	Turkey	41.17N	38.20E	
							E	490	Corsen	France	48.28N	05.03W	French
00.50	04.50	08.50	12.50	16.50	20.50		F	518	Arkhangelsk	Russia	64.33N	40.32E	
							F	518	Horta	Azores	38.32N	28.38W	
							F	518	Antalya	Turkey	36.53N	30.42E	
01.00	05.00	09.00	13.00	17.00	21.00		B	518	Kersh	Ukraine	45.23N	36.28E	
							G	518	Cullercoats	UK	55.02N	01.26W	
							G	518	Tarifa	Spain	36.01N	05.34W	
							G	490	Monsanto	Portugal	38.44N	09.11W	Portuguese
01.10	05.10	09.10	13.10	17.10	21.10		H	518	Bjuröklubb	Sweden	64.28N	21.36E	
							H	518	Iraklion	Greece	35.20N	25.07E	
01.20	05.20	09.20	13.20	17.20	21.20		C	518	Murmansk	Russia	68.58N	33.05E	
							I	518	Izmir	Turkey	38.21N	26.35E	
							I	518	Las Palmas	Canaries	28.09N	15.25W	
							J	490	Horta	Azores	38.32N	28.38W	Portuguese
	05.20			17.20			I	490	Niton	UK	50.35N	01.18W	
01.30	05.30	09.30	13.30	17.30	21.30		J	518	Gislovhammar	Sweden	55.29N	14.19E	
							J	518	Varna	Bulgaria	43.07N	27.46E	
01.40	05.40	09.40	13.40	17.40	21.40		K	518	Niton	UK	50.35N	01.18W	
							K	518	Kerkyra	Freece	39.37N	19.55E	
01.50	05.50	09.50	13.50	17.50	21.50		L	518	Rogaland	Norway	58.48N	05.34E	
							L	518	Limnos	Greece	39.52N	25.04E	
02.00	06.00	10.00	14.00	18.00	22.00		M	518	Oostende	Belgium	51.11N	02.48E	
							M	518	Cyprus	Cyprus	35.03N	33.17E	
							M	518	Casablanca	Morocco	33.36N	07.38W	
							M	490	Porto Santo	Madeira	33.04N	16.20W	Planned
02.10	06.10	10.10	14.10	18.10	22.10		N	518	Orlandet	Norway	63.41N	09.31.E	
							N	518	Alexandria	Egypt	31.12N	29.52E	
02.20	06.20	10.20	14.20	18.20	22.20		O	518	Portpatrick	UK	54.51N	05.07W	
							O	518	Malta	Malta	35.49N	14.32E	
02.30	06.30	10.30	14.30	18.30	22.30		C	518	Odessa	Ukraine	46.29N	30.44E	
							P	518	Den Helder	Netherlands	52.06N	04.15E	
							P	518	Porto Santo	Madeira	33.04N	16.20W	
02.40	06.40	10.40	14.40	18.40	22.40		Q	518	Malin Head	Ireland	55.22N	07.21W	
							Q	518	Split	Croatia	43.30N	16.29E	
02.50	06.50	10.50	14.50	18.50	22.50		R	518	Reykjavik	Iceland	64.05N	21.51W	
							R	518	Rome	Italy	41.37N	12.29E	
							R	518	Monsanto	Portugal	38.44N	09.11W	
03.00	07.00	11.00	15.00	19.00	23.00		A	518	Novorossiysk	Russia	44.27N	37.44E	
							S	490	La Garde	France	43.06N	05.59E	French
03.10	07.10	11.10	15.10	19.10	23.10		T	518	Oostende	Belgium	51.11N	02.48E	
							T	518	Cagliari	Italy	39.13N	09.14E	
							T	490	Niton	UK	50.35N	01.18W	French
03.20	07.20	11.20	15.20	19.20	23.20		U	518	Tallin	Estonia	59.30N	24.30E	
							U	518	Trieste	Italy	45.40N	13.46E	
	07.20			19.20			U	490	Cullercoats	UK	55.02N	01.26W	
03.30	07.30	11.30	15.30	19.30	23.30		V	518	Vardo	Norway	70.22N	31.06E	
							V	518	Augusta	Italy	37.14N	15.14E	
03.40	07.40	11.40	15.40	19.40	23.40		W	518	La Garde	France	43.06N	05.59E	
							W	518	Valentia	Ireland	51.56N	10.21W	
03.50	07.50	11.50	15.50	19.50	23.50		X	518	Reykjavik	Iceland	64.05N	21.51W	
							X	518	Valencia	Spain	38.43N	00.09E	
							X	518	Serapeum	Egypt	30.28N	32.22E	

## 12 WARRANTY

### WARRANTY

#### GENERAL

All our products are designed and built to comply to the highest class industry standards. If the products are correctly installed, maintained and operated, as described in the installation and operation manual, they will provide long and reliable service. Our international Network of distributors can provide you with the information and assistance you may require virtually anywhere in the world.

Please read through and fill in this warranty card and send it to your national distributor for product registration.

#### LIMITED WARRANTY

The warranty covers repair of defective parts due to faulty Manufacturing and includes labour when repaired in the country of purchase. The warranty period is stated in the product manual, and commences from the date of purchase. The above warranty is the Manufacturer's only warranty and no other terms, expressed or implied, will apply. The Manufacturer specifically excludes the implied warranty of merchantability and fitness for a particular purpose.

#### CONDITIONS

- The supplied warranty card and receipt with proof of purchase date, must be shown to validate any warranty claim. Claims are to be made in accordance with the claims procedure outlined below.
- The warranty is non-transferrable and extends only to the original purchaser.
- The warranty does not apply to Products from which serial numbers have been removed, faulty installation or incorrect fusing, to conditions resulting from improper use, external causes, including service or modifications not performed by the Manufacturer or by its national distributors, or operation outside the environmental parameters specified for the Product.
- The Manufacturer will not compensate for consequential damage caused directly or indirectly by the malfunction of its equipment. The Manufacturer is not liable for any personal damage caused as a consequence of using its equipment.
- The Manufacturer, its national distributors or dealers are not liable for charges arising from sea trials, installation surveys or visits to the boat to attend to the equipment, whether under warranty or not. The right is reserved to charge for such services at an appropriate rate.
- The Manufacturer reserves the right to replace any products returned for repair, within the warranty period, with the nearest equivalent, if repair within a reasonable time period should not be possible.
- The terms and conditions of the warranty as described do not affect your statutory rights.

#### CLAIMS PROCEDURE

Equipment should be returned to the national distributor, or one of its appointed dealers, in the country where it was originally purchased. Valid claims will then be serviced and returned to the sender free of charge.

Alternatively, if the equipment is being used away from the country of purchase, it may be returned to the national distributor, or one of its appointed dealers, in the country where it is being used. In this case valid claims will cover parts only. Labour and return postage will be invoiced to the sender at an appropriate rate.

#### DISCLAIMER

Common sense must be used at all times when navigating and the Manufacturer's navigation equipment should only be considered as aids to navigation.

The Manufacturers policy of continuous improvement may result in changes to product specification without prior notice.



File id:

## WARRANTY CARD

TO BE RETURNED TO YOUR NATIONAL DISTRIBUTOR

**OWNER:**  
 Name: \_\_\_\_\_  
 Street : \_\_\_\_\_  
 City/Zip Code : \_\_\_\_\_  
 Country: \_\_\_\_\_

**Product name:** \_\_\_\_\_ **Serial number:**

	A	B	C	1	2	3	4	5	6	7
_____	<input type="checkbox"/>	<input type="checkbox"/>	<input type="checkbox"/>	<input type="checkbox"/>	<input type="checkbox"/>	<input type="checkbox"/>	<input type="checkbox"/>	<input type="checkbox"/>	<input type="checkbox"/>	<input type="checkbox"/>
_____	<input type="checkbox"/>	<input type="checkbox"/>	<input type="checkbox"/>	<input type="checkbox"/>	<input type="checkbox"/>	<input type="checkbox"/>	<input type="checkbox"/>	<input type="checkbox"/>	<input type="checkbox"/>	<input type="checkbox"/>
_____	<input type="checkbox"/>	<input type="checkbox"/>	<input type="checkbox"/>	<input type="checkbox"/>	<input type="checkbox"/>	<input type="checkbox"/>	<input type="checkbox"/>	<input type="checkbox"/>	<input type="checkbox"/>	<input type="checkbox"/>
_____	<input type="checkbox"/>	<input type="checkbox"/>	<input type="checkbox"/>	<input type="checkbox"/>	<input type="checkbox"/>	<input type="checkbox"/>	<input type="checkbox"/>	<input type="checkbox"/>	<input type="checkbox"/>	<input type="checkbox"/>
_____	<input type="checkbox"/>	<input type="checkbox"/>	<input type="checkbox"/>	<input type="checkbox"/>	<input type="checkbox"/>	<input type="checkbox"/>	<input type="checkbox"/>	<input type="checkbox"/>	<input type="checkbox"/>	<input type="checkbox"/>
_____	<input type="checkbox"/>	<input type="checkbox"/>	<input type="checkbox"/>	<input type="checkbox"/>	<input type="checkbox"/>	<input type="checkbox"/>	<input type="checkbox"/>	<input type="checkbox"/>	<input type="checkbox"/>	<input type="checkbox"/>

Date of purchase: \_\_\_\_\_ Date installed: \_\_\_\_\_

Dealers stamp:

Tick here if you do not wish to receive news about future products







Copyright ©:

**Nexus Marine AB**

Kuskvägen 4, 191 62 Sollentuna, Sweden

Tel: +46 -(0) 8 – 506 939 00. Fax: +46 -(0) 8 -506 939 01

[www.nexusmarine.se](http://www.nexusmarine.se)